

## General Purpose Solenoid Valves S1060 Series ("G1/8", G1/4")

### GENERAL FEATURES

- Wide pressure range, flow rate and orifis options.
- Solenoid valves are used with filters.
- Solenoid valves can be mounted in any position without affecting its operation.
- Coil to be used in a vertical position.

### ELECTRICAL CHARACTERISTICS

Continuous Duty	: ED %100
Coil Insulation Class	: H (180°C)(IEC 85)
Coil Impregnation	: Polyester Fiber Glass
Ambient Temperature	: -10°C, +60°C
Protection Degree	: IP65 (ISO 60529)
Electric Plug Connection	: DIN 46340 3-Poles Connector (DIN 43650)
Electrical Safety	: IEC 335
Standard Voltages	: AC 7,1 VA 12V, 24V, 48V, 110V, 230V, 230V DC 5W 12V, 24V, 48V, 110V
Voltages Tolerance	: AC -15%, +10% DC -5%, +10%
Frequency	: 50 Hz (60 Hz...)
On request; Connector with LED.	
Specify coil voltage with order.	

### MATERIALS IN CONTACT WITH FLUID

Body	: Brass
Internal Parts	: Stainless Steel, Brass
Sealing	: Viton On request; ; EPDM, NBR
Shading Ring	: Copper (EN 12735-1)
Seats, Core Tube, Springs	: Stainless Steel, Brass

### OPTIONS

- Female connection: BSP; (On request NPT)
- On request CR-Ni plated, PTFE coated done
- On request Atex (exproof) coil.

### TECHNICAL FEATURES

Max. Viscosity	: 5°E (-37cST veya mm <sup>2</sup> /s)
Response Time	: Opening time : 30 ms Closing Time : 30 ms

### SEALS FEATURES

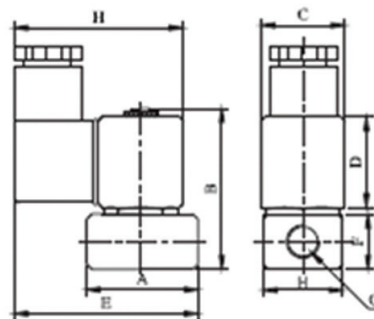
NBR	: -10°C...+80°C
EPDM	: -10°C...+130°C
VITON	: -10°C...+160°C
PTFE	: -10°C...+180°C
RUBY	: -10°C...+160°C

NORMALLY CLOSED

2/2 OPERATED

DIRECT ACTING

ΔP=0



Dimensions (mm)

	G	A	B	C	D	E	F	H
1/8"	35	56	22	29.4	66.7	18.9	19.9	
1/4"	36	56	22	29.4	66.7	18.9	19.9	

### STANDARDS

- Standard tube connection G (BSP) (ISO 228-1) and other tube connections (NPT (ANSI 1.20.3)) are available on request.
- TORK solenoid valves 97/23/EC, are available for pressure equipment directive (PED) and 2006/95/ECC low voltage directive (LVD).

**Not:** Please look catalogues for more details

Solenoid Valve Symbol	Valve Type/ Order No	Connection Size	Orifice Size	Pressure min/max		Kv	Seal	Weight					
				Bar	Bar								
	S1060.00.018	1/8"	1.8	0	12	1.6	<table border="1"> <tr> <td rowspan="2">Viton</td> <td colspan="2">Opsiyon</td> </tr> <tr> <td>NBR</td> <td>EPDM</td> </tr> </table>	Viton	Opsiyon		NBR	EPDM	0.2
	Viton	Opsiyon											
NBR		EPDM											
S1060.01.018	1/4"	1.8	0	12	1.6	<table border="1"> <tr> <td rowspan="2">Viton</td> <td colspan="2">Opsiyon</td> </tr> <tr> <td>NBR</td> <td>EPDM</td> </tr> </table>	Viton	Opsiyon		NBR	EPDM	0.19	
Viton	Opsiyon												
	NBR	EPDM											

## General Purpose Solenoid Valves S1060 Series (G3/8", G1/2", G3/4", G1")

### GENERAL FEATURES

- Wide pressure range, flow rate and orifis options.
- Solenoid valves are used with filters.
- Solenoid valves can be mounted in any position without affecting its operation.
- Coil to be used in a vertical position.

### ELECTRICAL CHARACTERISTICS

Continuous Duty	: ED %100
Coil Insulation Class	: H (180°C)(IEC 85)
Coil Impregnation	: Polyester Fiber Glass
Ambient Temperature	: -10°C, +60°C
Protection Degree	: IP65 (ISO 60529) On request; IP68
Electric Plug Connection	: DIN 46340 3-Poles Connector (DIN 43650)
Electrical Safety	: IEC 335
Standard Voltages	: AC 7,1 VA 12V, 24V, 48V, 110V, 230V, 230V DC 5W 12V, 24V, 48V, 110V
Voltages Tolerance	: AC -15%, +10% DC -5%, +10%
Frequency	: 50 Hz (60 Hz...)
On request; Connector with LED.	
Specify coil voltage with order.	

### MATERIALS IN CONTACT WITH FLUID

Body	: Brass
Internal Parts	: Stainless Steel, Brass
Sealing	: Viton On request; ; EPDM, NBR
Shading Ring	: Copper (EN 12735-1)
Seats, Core Tube, Springs	: Stainless Steel, Brass

### OPTIONS

- Female connection: BSP; (On request NPT)
- On request CR-Ni plated, PTFE coated done
- On request Atex (exproof) coil.

### TECHNICAL FEATURES

Max. Viscosity	: 5°E (-37CST veya mm <sup>2</sup> /s)
Response Time	: Opening time : 400 ms Closing Time : 1000 ms

### SEALS FEATURES

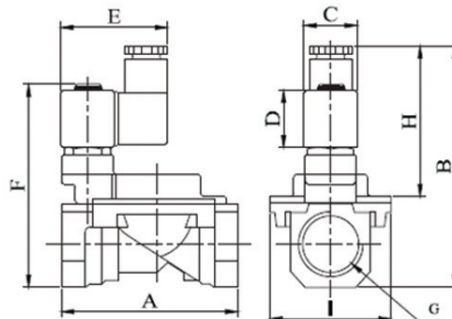
NBR	: -10°C...+80°C
EPDM	: -10°C...+130°C
VITON	: -10°C...+160°C
PTFE	: -10°C...+180°C
RUBY	: -10°C...+160°C

NORMALLY CLOSED

2/2 OPERATED

PILOT OPERATED

ΔP=0.5



Dimensions (mm)

G	A	B	C	D	E	F	I	H
3/8"	58	98	20.9	29	60	83	43	64.1
1/2"	58	98	20.9	29	60	83	43	64.1
3/4"	63	105	20.9	29	60	83	43	64.1
1"	69	112	20.9	29	60	83	43	64.1

### STANDARDS

- Standard tube connection G (BSP) (ISO 228-1) and other tube connections (NPT (ANSI 1.20.3)) are available on request.
- TORK solenoid valves 97/23/EC, are available for pressure equipment directive (PED) and 2006/95/ECC low voltage directive (LVD).

**Not:** Please look catalogues for more details

Solenoid Valve Symbol	Valve Type/ Order No	Connection Size	Orifis Size	Pressure min/max		KV	Seal			Weight
				Bar	Bar		Lt/dk	NBR	Opsiyon Viton	
	S1060.02	3/8"	1.2	0.35	12	48	✓	✓	✓	0.68
	S1060.03	1/2"	1.2	0.35	12	48	✓	✓	✓	0.71
	S1060.04	3/4"	1.2	0.35	12	70	✓	✓	✓	0.8
	S1060.05	1"	1.2	0.35	12	70	✓	✓	✓	0.97